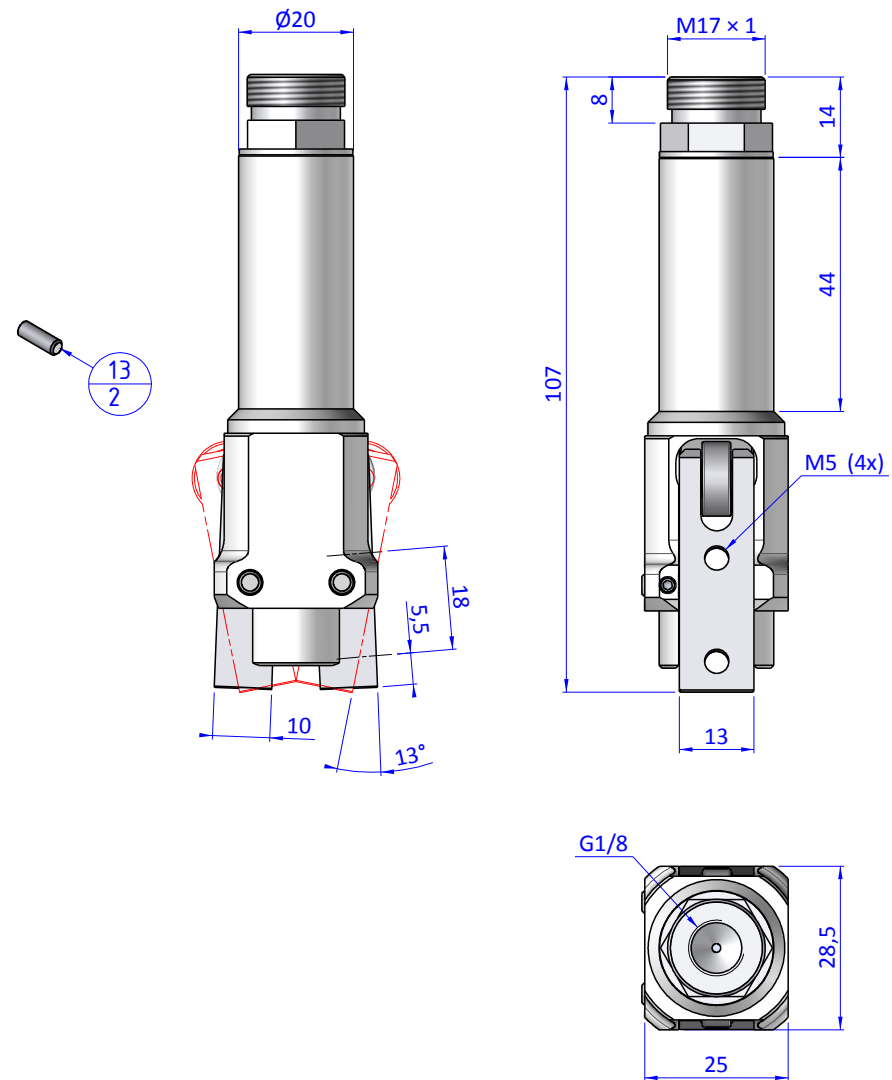
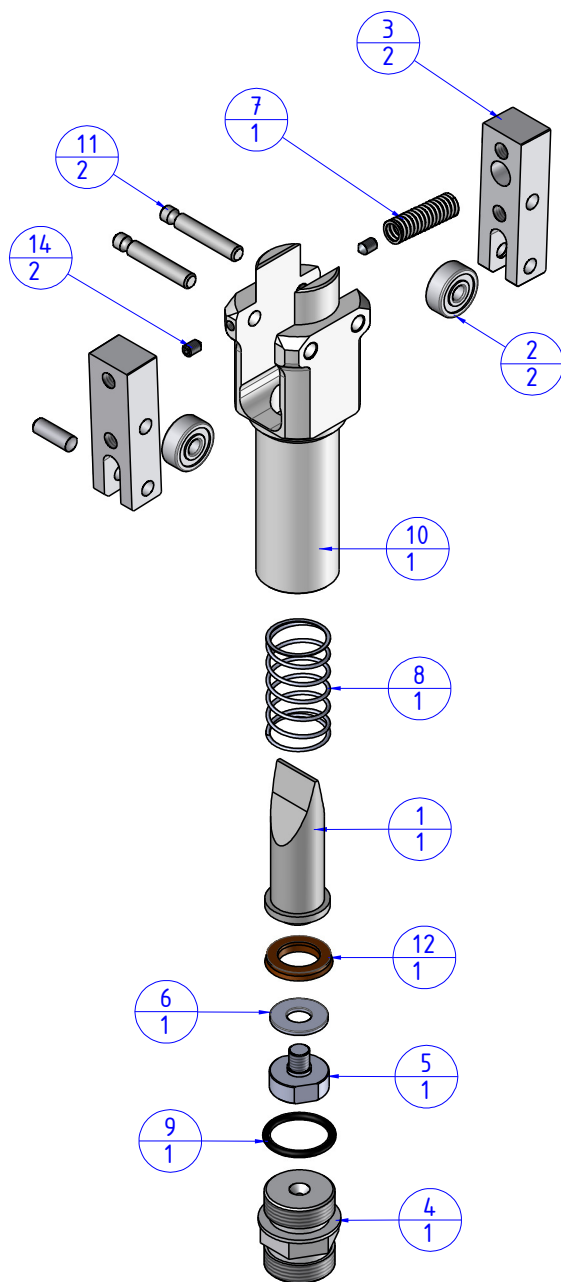



THE PROPERTY OF THE DRAWING IS ESTABLISHED BY LAW. IT IS FORBIDDEN TO PRODUCE OR SHOW IT TO THIRD PARTY, WITHOUT A WRITTEN AGREEMENT.

Item	Name	Qty.
1	DD.20.05	1
2	CUS.624.ZZ	2
3	DD.20.16A.02	2
4	GRF20.95.01	1
5	GRF20.95.03.2	1
6	GRF20.95.10	1
7	M.6X35	1
8	M.GRF.2095.1	1
9	OR.2056	1
10	PAC.2016.1	1
11	PAC.2016.5	2
12	PSP.1610255	1
13	SP.4x12M6	2
14	V.STM3X5	2



Format A3  
UNI 936-76

 <b>FPS</b> FPSERVICES AUTOMATION		DESIGNED FROM		REVIEW
		FPS Automation		A
GENERAL TOLERANCE		DATE	WEIGHT	
UNI - ISO 2768		03/06/2019	0,099kg	
CLASSE F		CODE		
		CA.PAC20.16A		CA.PAC20.16A